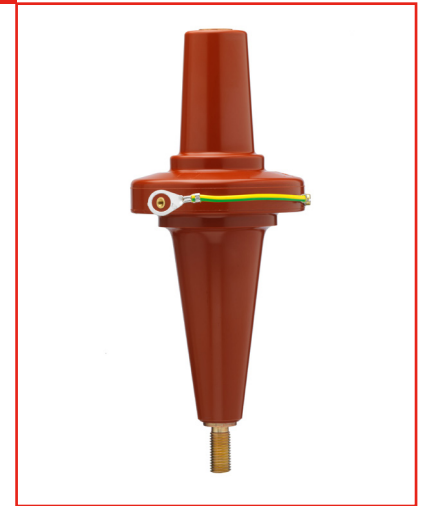


### APPLICATION

For use in equipment insulated with oil fluid, typically for transformers, switchgear, capacitors...

### TECHNICAL CHARACTERISTICS

Each bushing is tested for AC withstand and partial discharge prior to leaving the factory.



### SPECIFICATIONS AND STANDARDS

The bolted type equipment bushings 400AR-3 are moulded epoxy insulated parts and meet the requirements of CENELEC EN 50180 and IEC 60137.

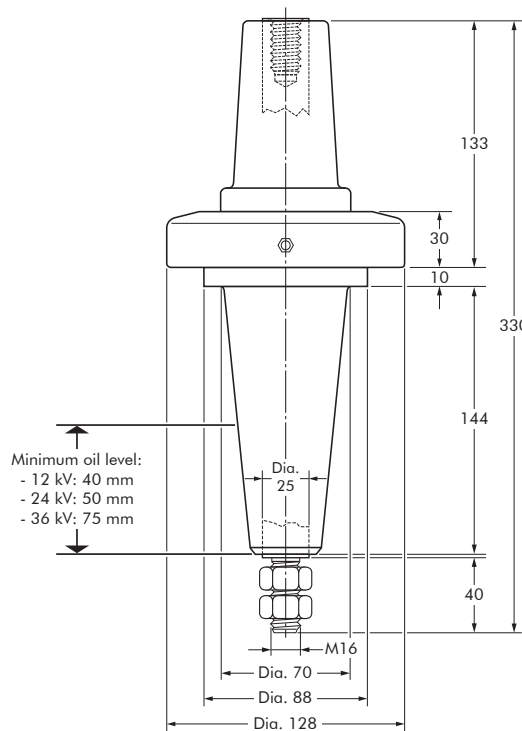
### ORDERING INSTRUCTIONS

To order the equipment bushing, specify the type.

The bushings can be supplied with an earth jumper (/J).

E.g. M400AR-3/J.

For use in potentially explosive atmospheres (for 12 kV max), order: 400AR-3/ATEX.



6/10 (12) kV  
 6.35/11 (12) kV  
 8.7/15 (17.5) kV  
 12/20 (24) kV  
 12.7/22 (24) kV  
 18/30 (36) kV  
 19/33 (36) kV

Up to 36kV - 630A

**EUROMOLD®**

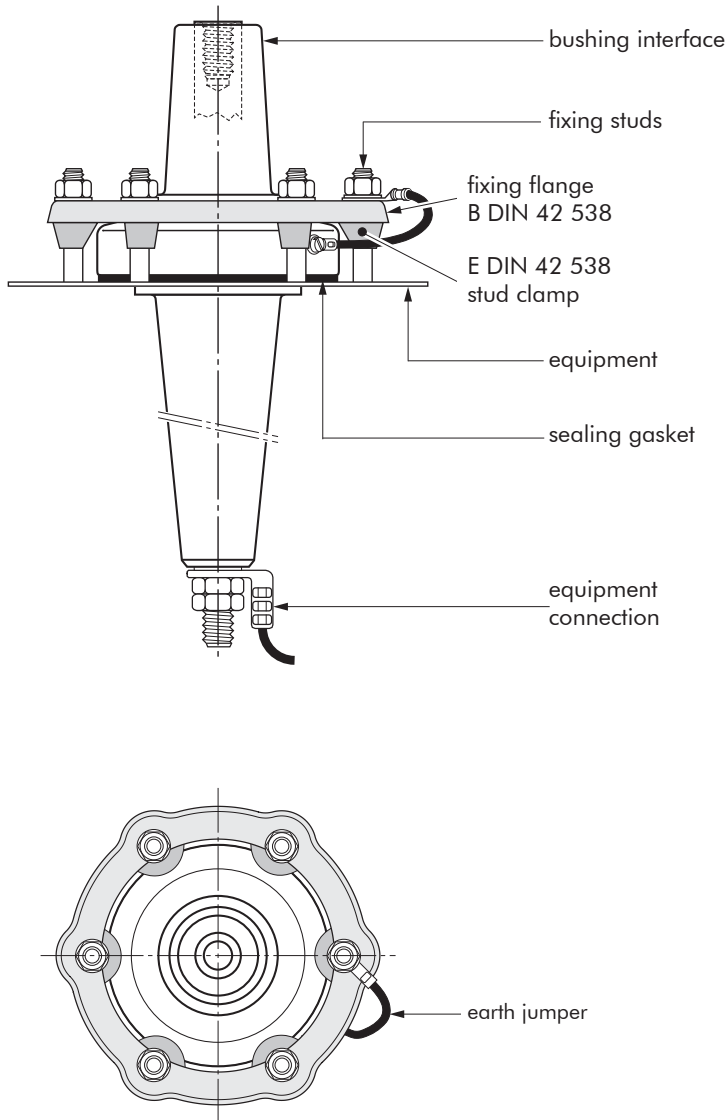
In mm.

Equipment bushing type	Voltage Um (kV)	Current Ir (A)
400AR-3	12	630
K400AR-3	24	630
M400AR-3	36	630

05/2017

# FIXINGS FOR EQUIPMENT BUSHINGS

## 400AR-3/J BUSHING



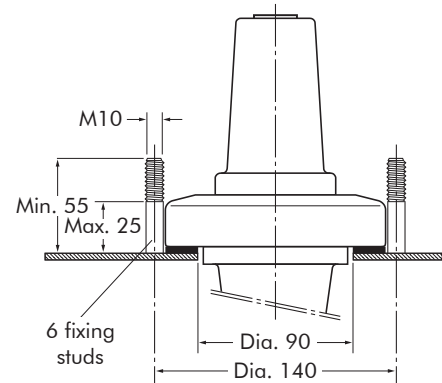
## BUSHING CLAMPING KIT

To order the bushing clamping kit, according to DIN 42 538 standards, simply specify KBCD-400B.

Contents: - 1 x fixing flange B  
- 6 x stud clamp E  
- 1 x sealing gasket.

## FIXING DIMENSIONS STANDARDS DIN 42 538

German standards.



In mm.