

400TR

TEST ROD

APPLICATION

- The test rod can be used for:
 - cable fault location
 - cable testing
 - phasing checks, etc.
- Connections can be made with a cable lug, a 4 mm plug or spring clips.
- The test rod is not suitable for PD (partial discharge) measurements.

TECHNICAL CHARACTERISTICS

- The 400TR test rod can be used with 400TB and 440TB connectors.



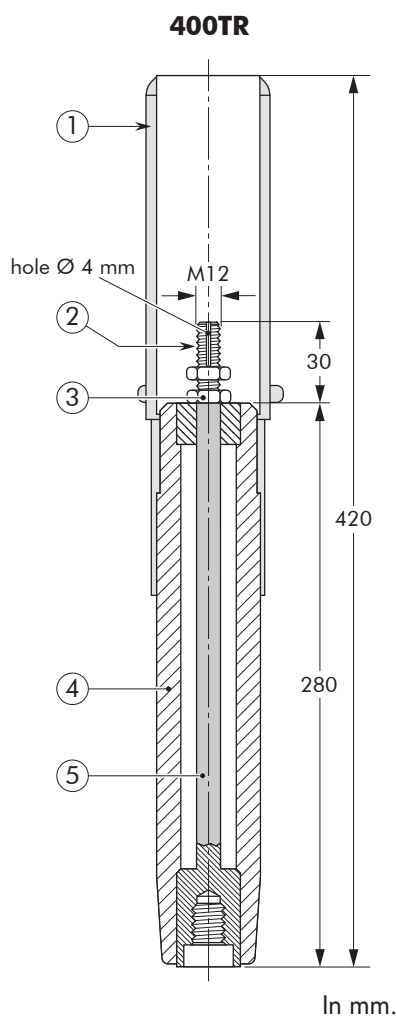
DESIGN

1. Insulating shroud.
2. Threaded rod for test connection.
3. Two nuts M12.
4. Insulation.
5. Test rod stem.

An insulating shroud is provided to allow the application of test voltages when bushings are closely spaced.

INSTALLATION

The test rod is mounted on to the clamping screw in the type C interface tee and coupling connectors. The test cable is connected to the threaded stem and the insulating shroud moved to its final position over the end of the test rod.



ORDERING INSTRUCTIONS

Simply specify: 400TR.

Test rod type	Maximum A.C. test voltage ($2 \times U_0$ - 5 min)	Maximum D.C. test voltage (30 min)	Maximum impulse voltage ($1.2 \times 50 \mu s$)	Maximum VLF test voltage ($3 \times U_0$ - 60 min)
400TR	up to 42 kV	96 kV	95 kV	up to 63 kV