

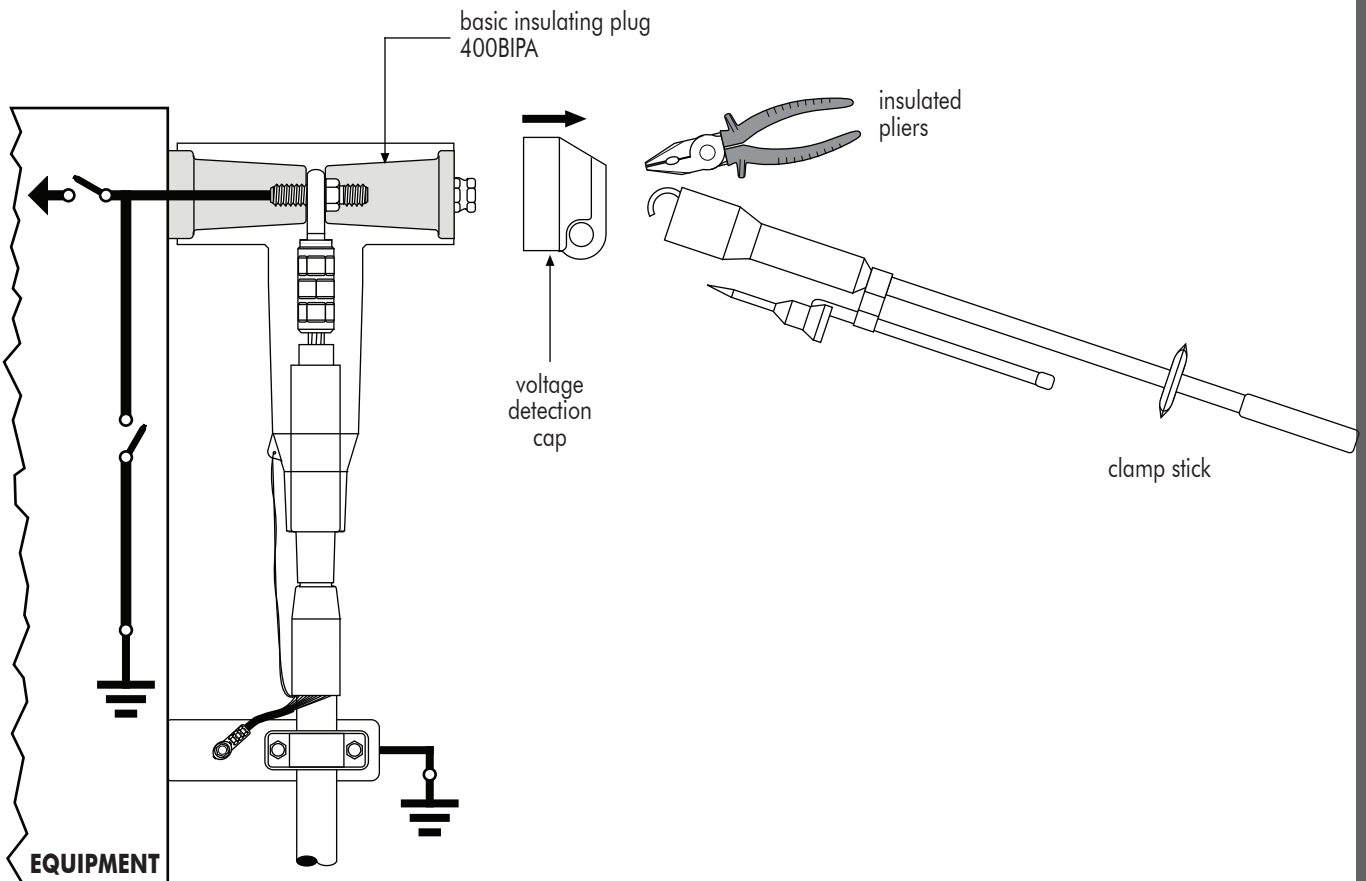
CAUTION : Read instructions thoroughly and completely prior to beginning installation.

Installation instructions - Test rod for 400TB, 440TB & 430TB connectors  
Type C interface

# 400TR

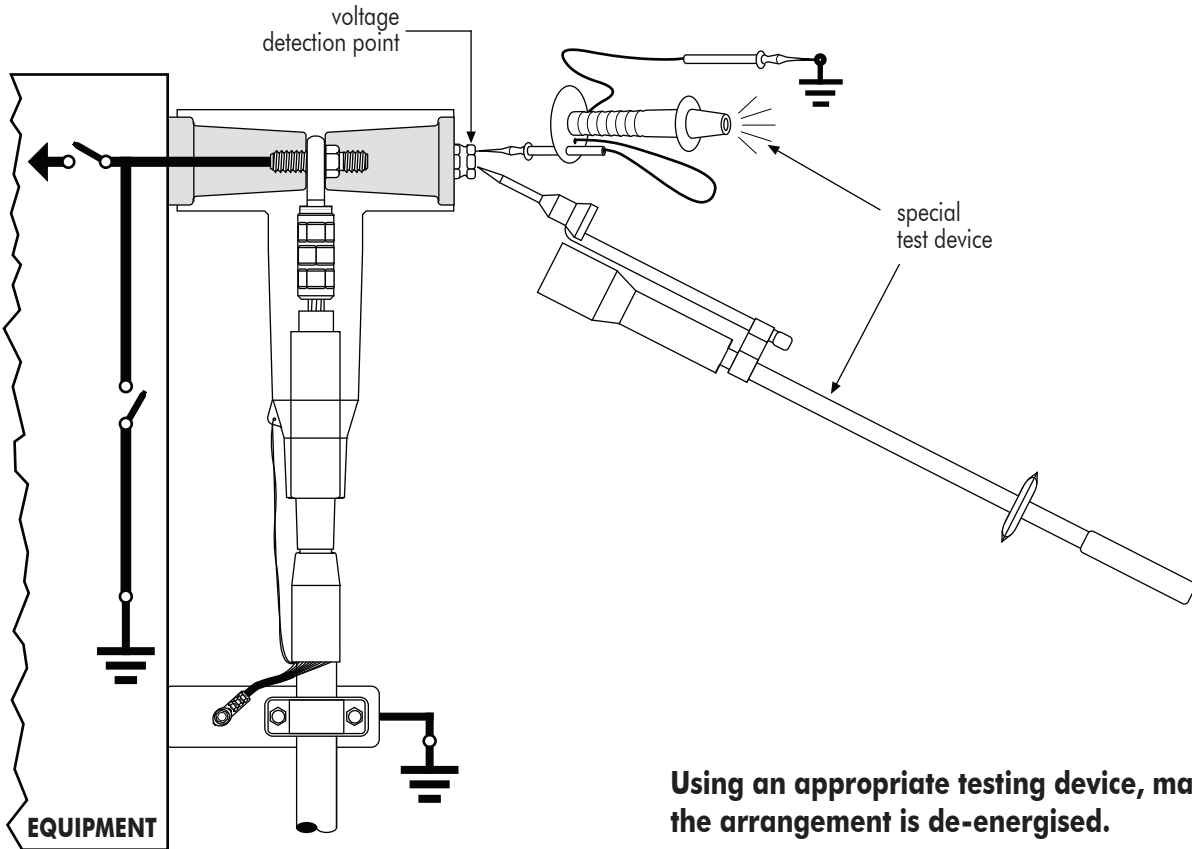
## A

### 400TB & 440TB connectors

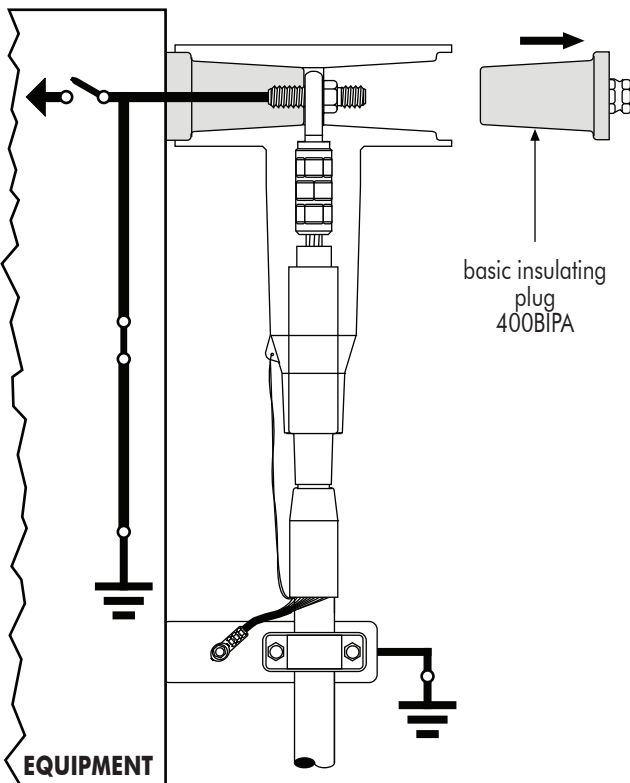


De-energise the equipment by opening the switches.  
Padlock the switches to prevent operator error.

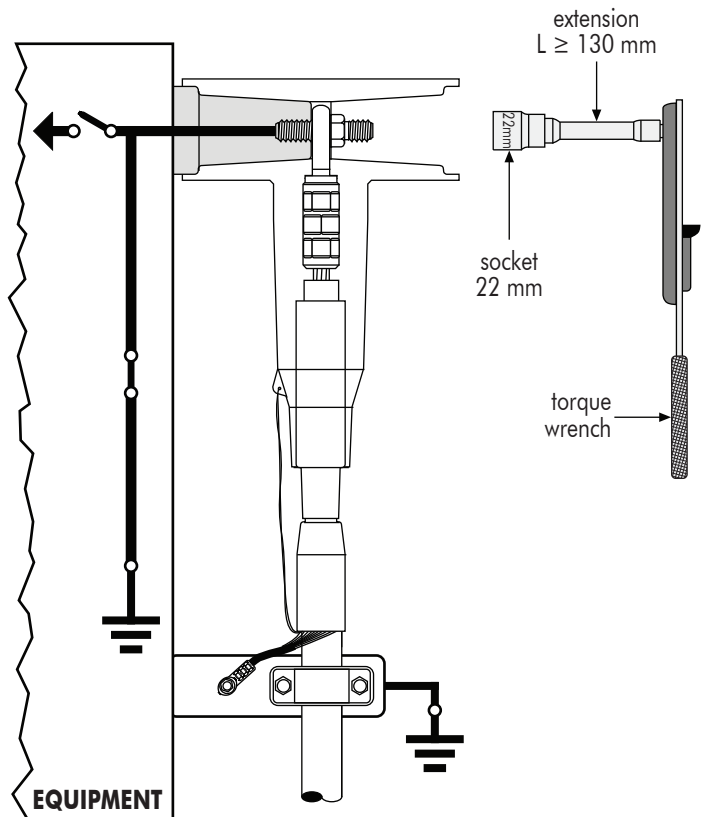
Insulated pliers or clamp stick are used to remove the voltage detection cap exposing the basic insulating plug.



Using an appropriate testing device, make sure the arrangement is de-energised.



Once the cable has been tested and found de-energised and earthing switch is closed, the basic insulating plug 400BIPA can be unscrewed and removed from connector with a 24 mm wrench. Keep the basic insulating plug clean at all times.

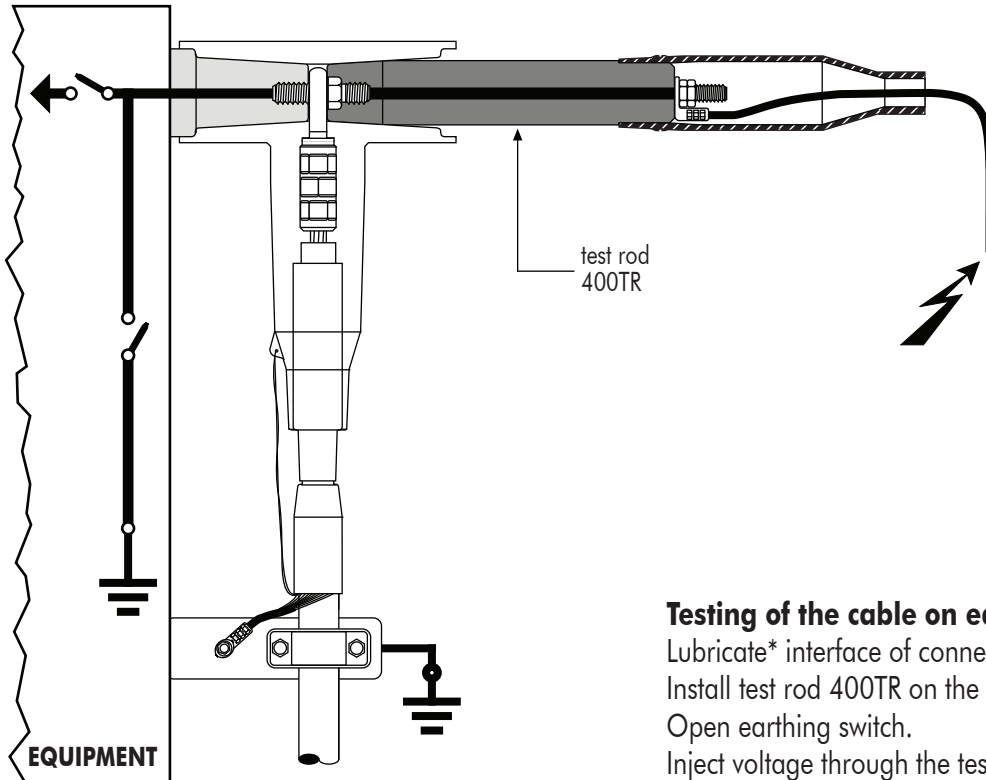


Make sure the clamping screw is still tight. If not, torque it to 50 Nm (a 22 mm socket, an extension and torque wrench is required).



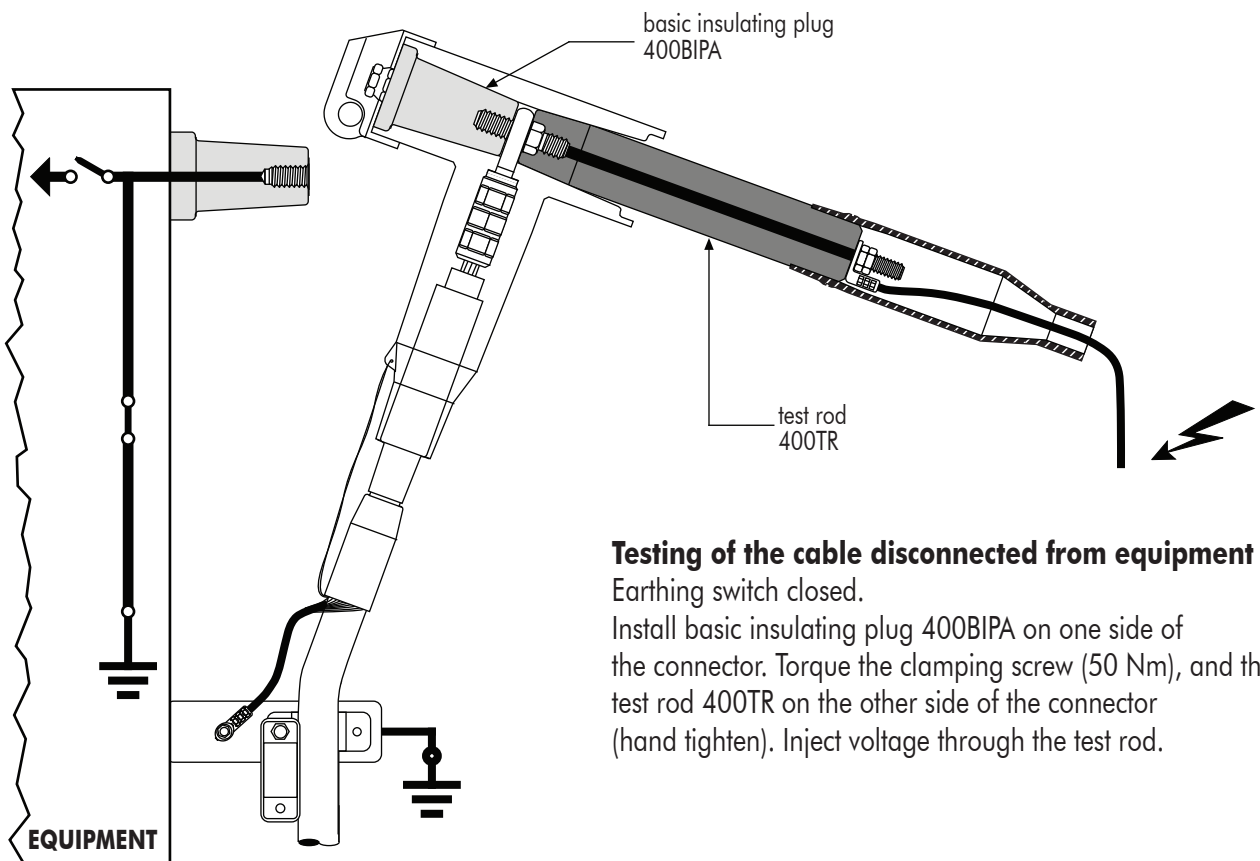
FOR INFORMATION ONLY Please always use the instructions supplied in the kit





**Testing of the cable on equipment :**

Lubricate\* interface of connector and test rod.  
 Install test rod 400TR on the connector (hand tighten).  
 Open earthing switch.  
 Inject voltage through the test rod.



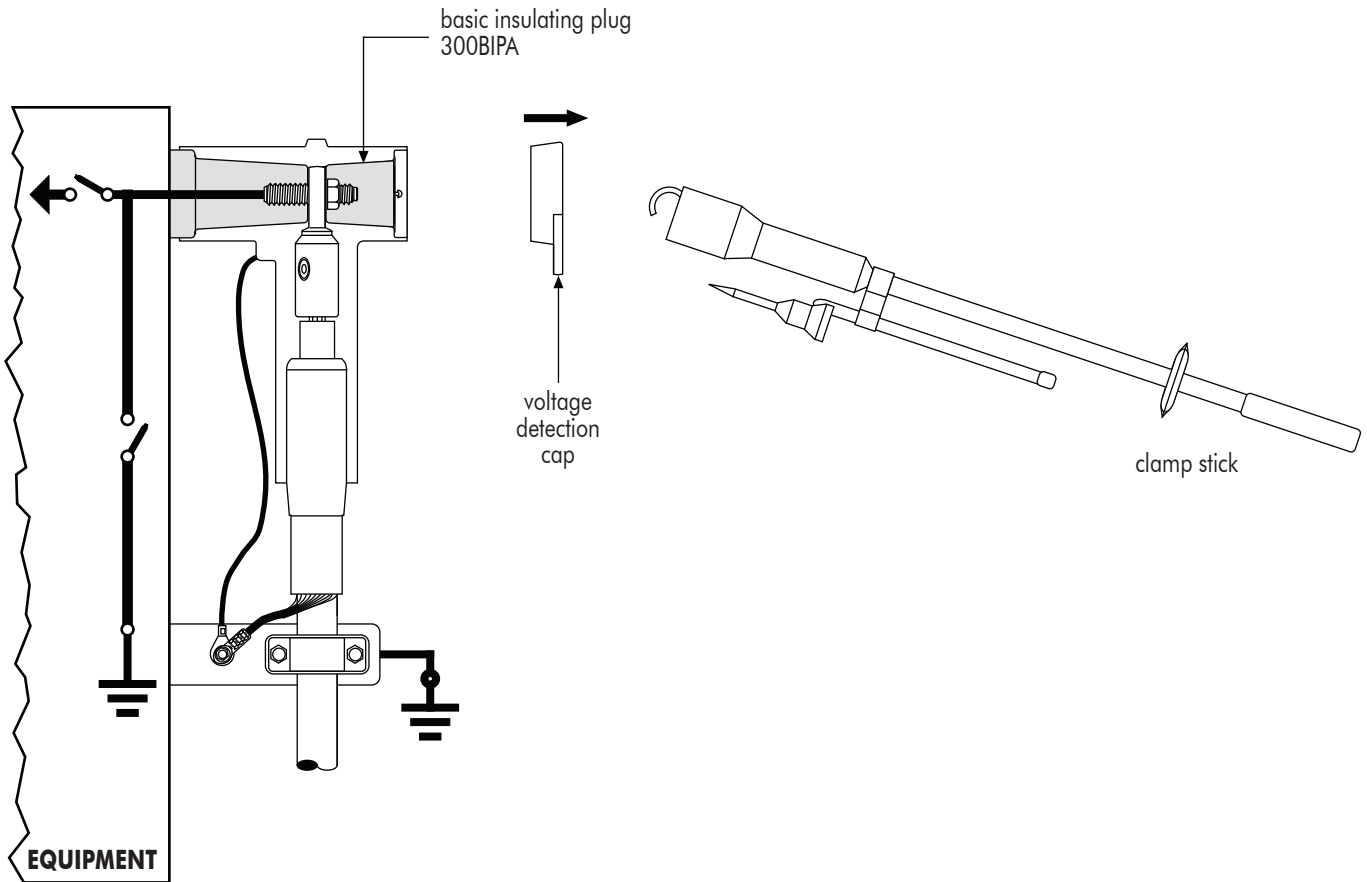
**Testing of the cable disconnected from equipment :**

Earthing switch closed.  
 Install basic insulating plug 400BIPA on one side of the connector. Torque the clamping screw (50 Nm), and the test rod 400TR on the other side of the connector (hand tighten). Inject voltage through the test rod.



**B**

## 430TB connectors



De-energise the equipment by opening the switches.

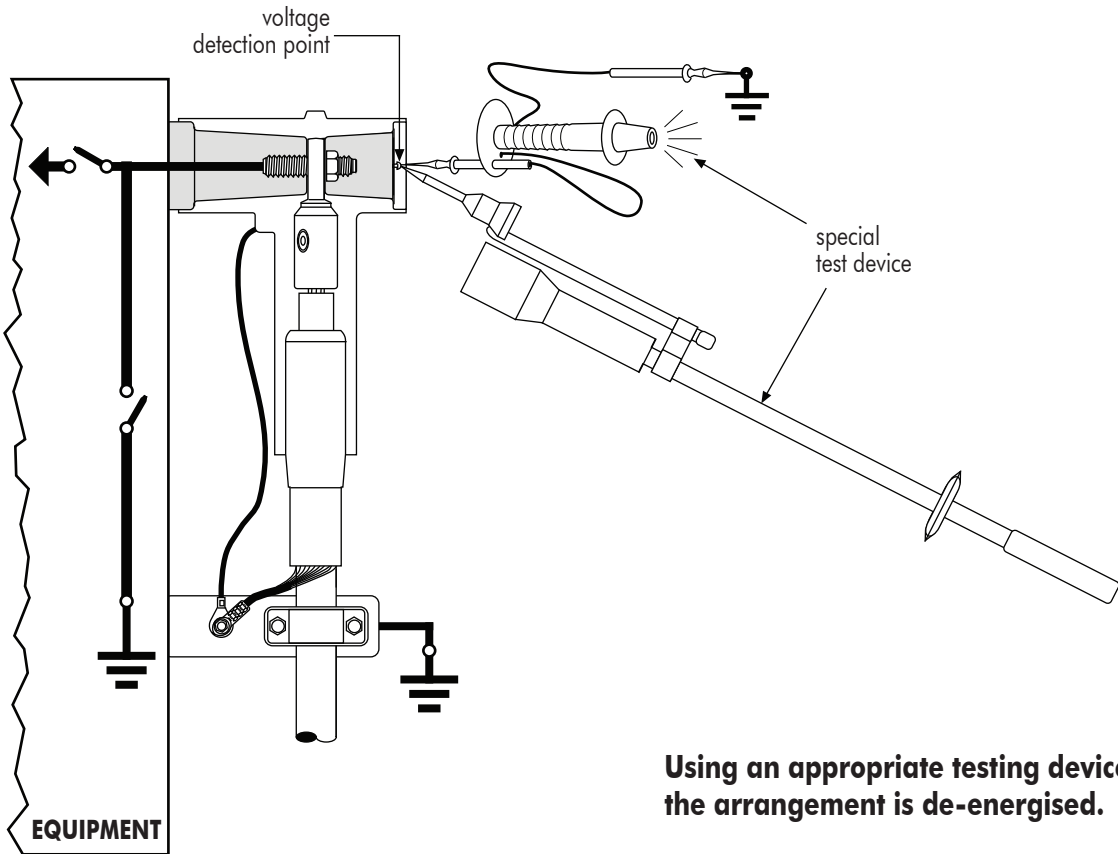
Padlock the switches to prevent operator error.

Insulated pliers or clamp stick are used to remove the voltage detection cap exposing the basic insulating plug.

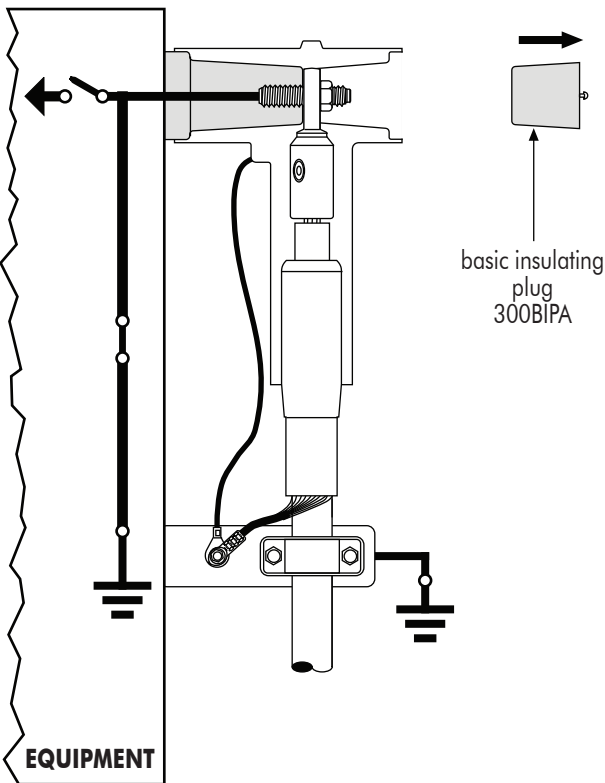


**FOR INFORMATION ONLY** Please always use the instructions supplied in the kit

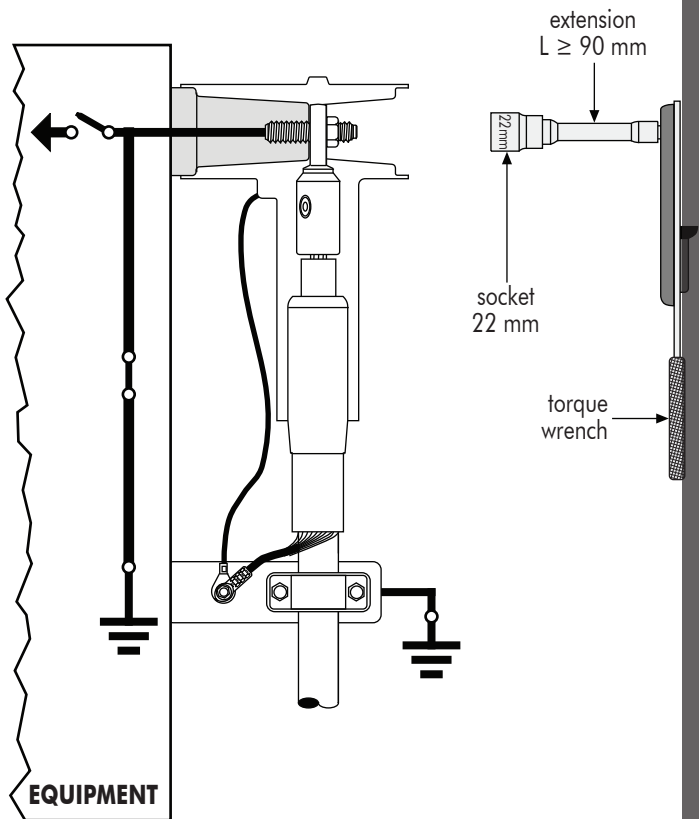




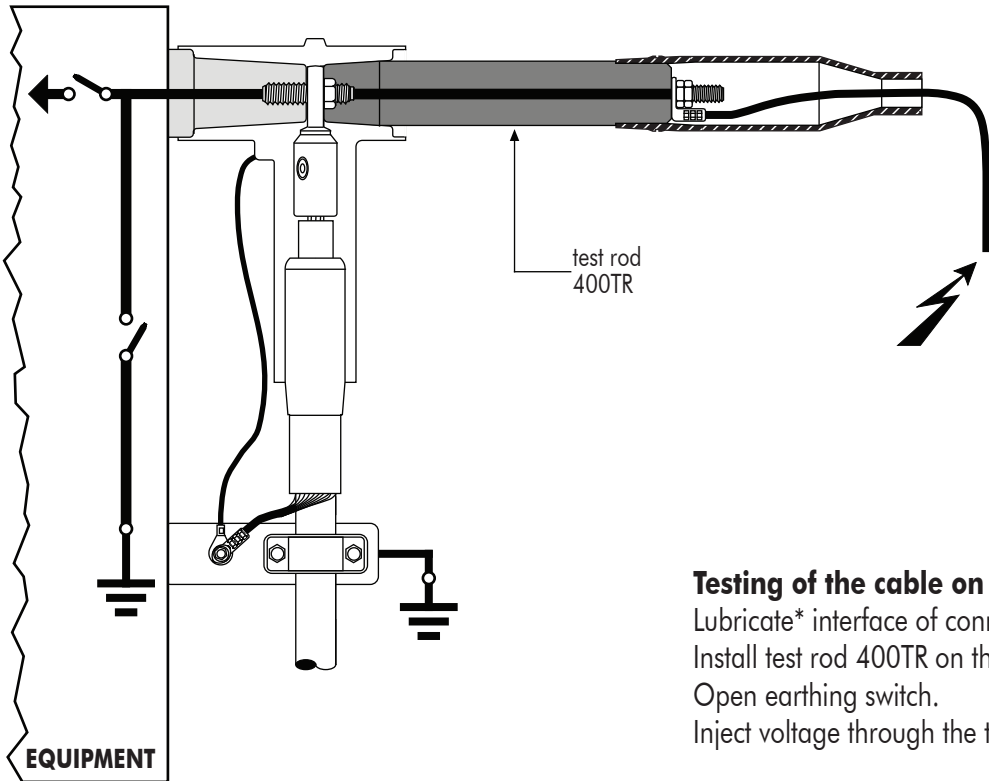
Using an appropriate testing device, make sure the arrangement is de-energised.



Once the cable has been tested and found de-energised, and earthing switch is closed, the basic insulating plug 300BIPA can be unscrewed and removed from connector with a 22 mm wrench. Keep the basic insulating plug clean at all times.

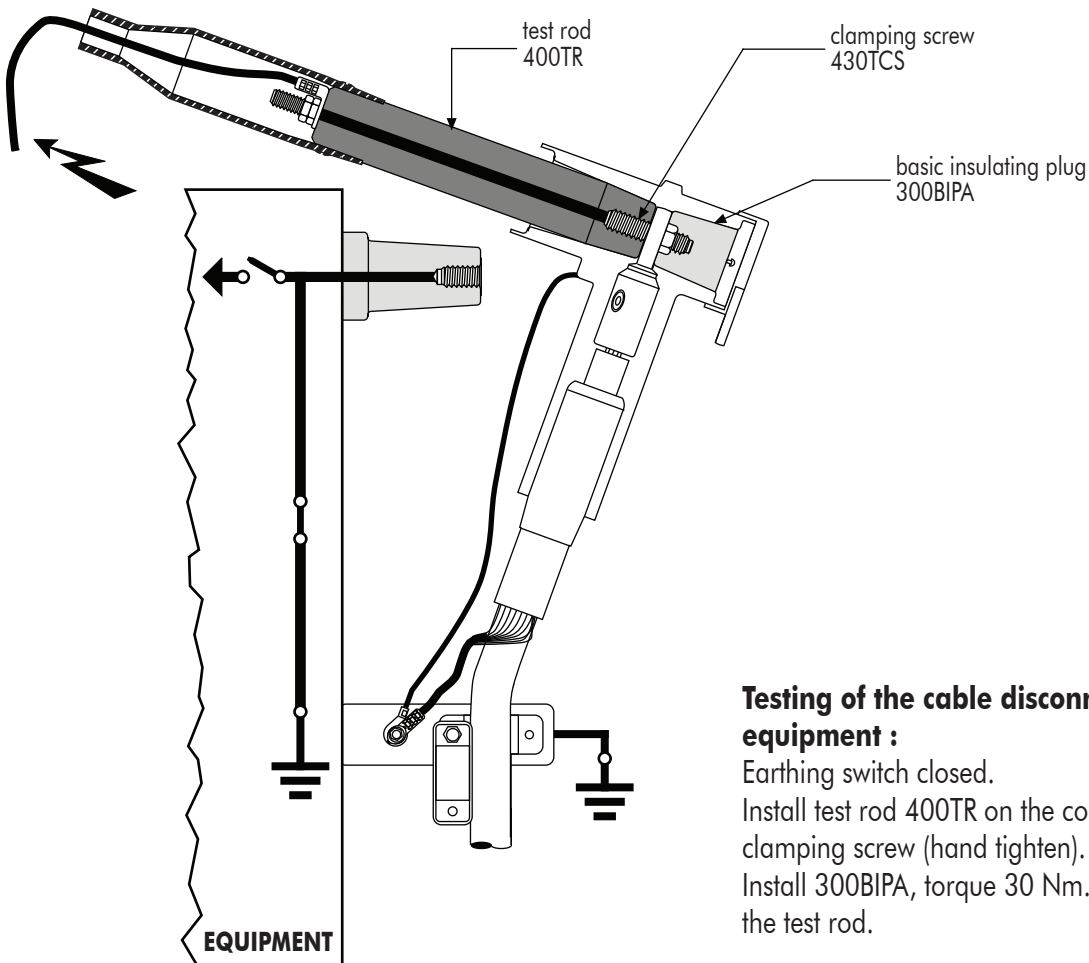


Make sure the clamping screw is still tight. If not, torque it to 50 Nm (a 22 mm socket, an extension and torque wrench is required).



**Testing of the cable on equipment :**

Lubricate\* interface of connector and test rod.  
 Install test rod 400TR on the connector (hand tighten)  
 Open earthing switch.  
 Inject voltage through the test rod.



**Testing of the cable disconnected from equipment :**

Earthing switch closed.  
 Install test rod 400TR on the connector with the clamping screw (hand tighten).  
 Install 300BIPA, torque 30 Nm. Inject voltage through the test rod.

\* USE ONLY THE SILICONE LUBRICANT SUPPLIED

**Euromold**  
 a Nexans company

**Nexans Network Solutions NV - div. EUROMOLD**

Zuid III - Industrielaan 12  
 B-9320 EREMBODEGEM-AALST - BELGIUM  
 Tel: +32 (0)53/85 02 11 - Telefax: +32 (0)53/83 10 13  
 sales.euromold@nexans.com