

# TTGE1

## HEAT-SHRINKABLE SINGLE CORE XLPE OUTDOOR TERMINATION

Up to 36 kV

6/10 (12) kV  
6.35/11 (12) kV  
8.7/15 (17.5) kV  
12/20 (24) kV  
12.7/22 (24) kV  
18/30 (36) kV  
19/33 (36) kV

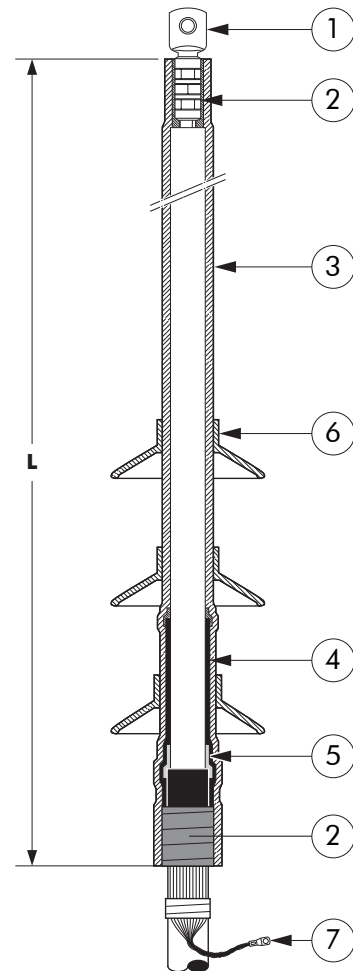
### Application

Heat-shrinkable terminations for polymeric cables, are widely used by power utilities and in industrial applications.

For use outdoors and exposed to prolonged sunshine and other weather conditions.

### Design

1. Cable lug (supplied on request).
2. Water sealing mastic.
3. Anti-tracking heat-shrinkable tube.
4. Stress control heat-shrinkable tube.
5. Stress control mastic.
6. Anti-tracking sheds.
7. Earthing lug.



### Specifications and standards

Meets the requirements of CENELEC HD 629.1 and IEC 60502-4.

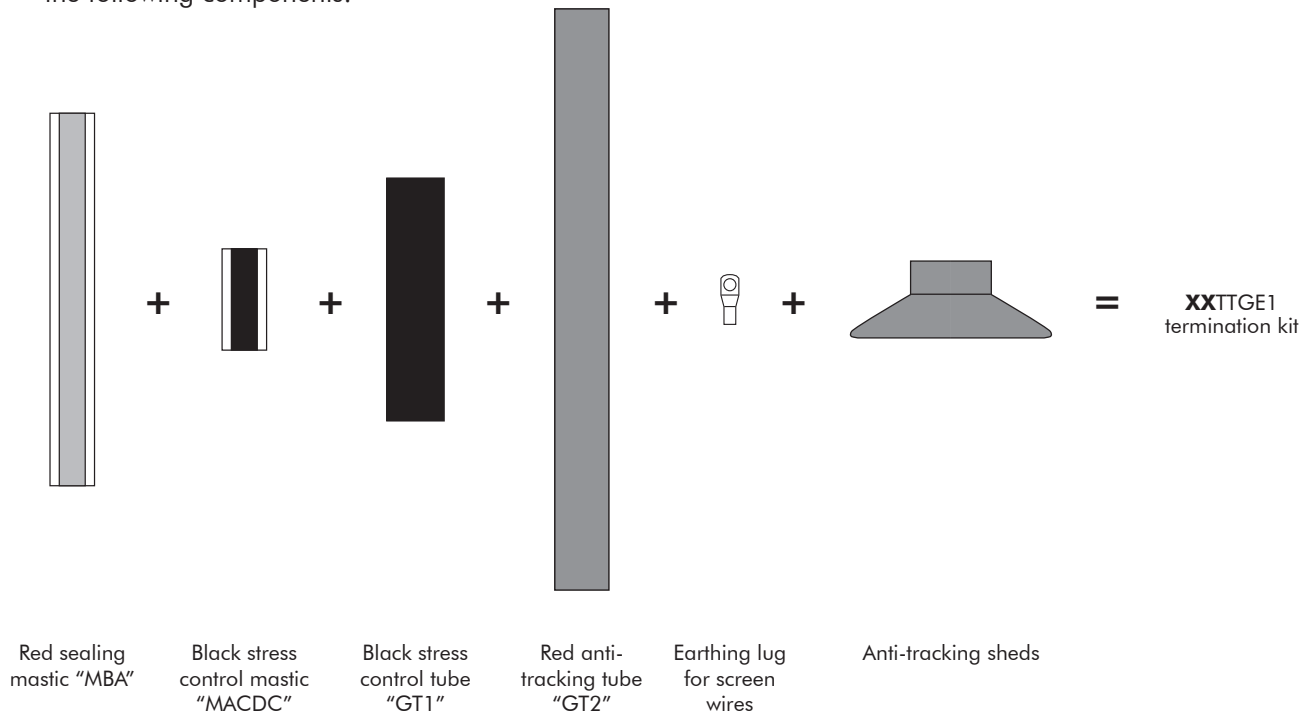
Termination type	Voltage $U_m$ (kV)	Length "L" (mm)	Conductor sizes (mm <sup>2</sup> )		Number of sheds	Creepage length (mm)
			min	max		
17TTGE1	12 & 17.5	480	16	630	2	600
24TTGE1	24	520	25	630	3	700
36TTGE1	36	620	35	630	3	800

08/2011

## Kit contents

The complete TTGE1 termination kit comprises the following components:

The kit also comprises installation instructions.



## Ordering instructions

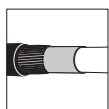
Select the part number corresponding to both system voltage and conductor size.

### Example:

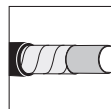
An outdoor termination for a 12 kV, 240 mm<sup>2</sup> stranded aluminium cable with copper wire screen is requested, without cable lug.

Order: 17TTGE1.300i.

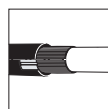
Ordering part number	Voltage U <sub>0</sub> /U (kV)	Conductor size range (mm <sup>2</sup> )	
		min	max
17TTGE1.50i	6/10 & 6.35/11 & 8.7/15	16	50
17TTGE1.120i	6/10 & 6.35/11 & 8.7/15	50	120
17TTGE1.300i	6/10 & 6.35/11 & 8.7/15	95	300
17TTGE1.630i	6/10 & 6.35/11 & 8.7/15	400	630
17TTGE1.1200i	6/10 & 6.35/11 & 8.7/15	630	1200
24TTGE1.95i	12/20 & 12.7/22	25	95
24TTGE1.240i	12/20 & 12.7/22	50	240
24TTGE1.630i	12/20 & 12.7/22	300	630
24TTGE1.1200i	12/20 & 12.7/22	630	1200
36TTGE1.150i	18/30 & 19/33	35	150
36TTGE1.300i	18/30 & 19/33	150	300
36TTGE1.630i	18/30 & 19/33	400	630
36TTGE1.630i	18/30 & 19/33	630	1200



For use with copper wire screened cables. Earthing lug is included.



For use with copper tape screened cables. Order: -Ai instead of -i (e.g. 17TTGE1.300Ai).



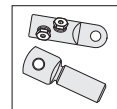
For use with aluminium tape screened cables (C 33-226). Please contact our representative.



For use with three-core cables: see TTGE3.



For use with other cables. Please contact our representative.



Can be supplied with all common types of cable lugs.